



## Current Sense / Low Frequency Transformers

### CSE187L, CSE187L-P

#### Description:

Triad's low frequency current sense transformers are designed to monitor current from 0.1 to 30 amperes at frequencies from 50 Hz to 400 Hz. These products come either as potted or in open coil construction with air-cooled, insulated windings.

#### Electrical Specifications at 25° C:

**Turns ratio:** Primary to sense 1: 500

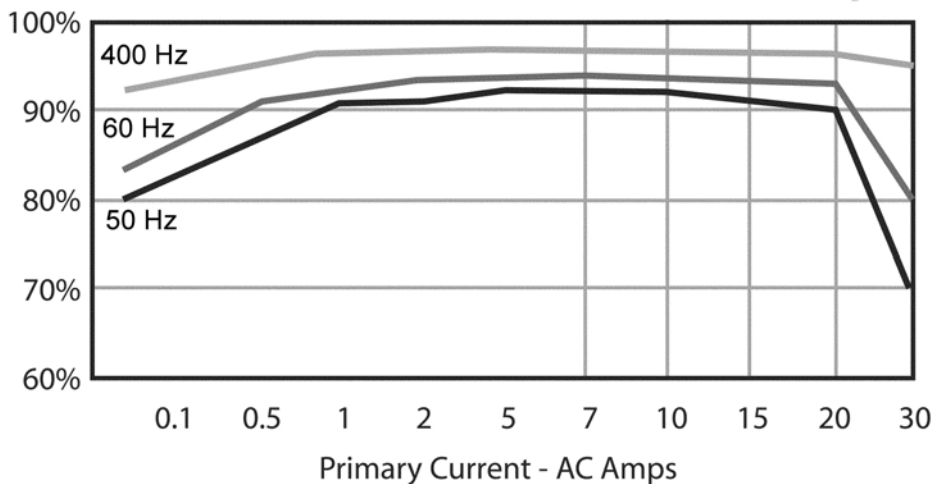
**Suggested burden resistor:** 60Ω

**Typical output:** 110mV/Amp

**Primary DCR:** 250 micro ohms maximum

**Sense DCR:** 21 ohms maximum

#### Response Curve:



#### Construction:

These transformers are provided with Recognized Component electrical insulation system (OBJY2), Class 130 (B), designated "B3". Products are designed, built and 100% tested for a hi-pot of 2500V, winding to winding and 1250V, winding to core.

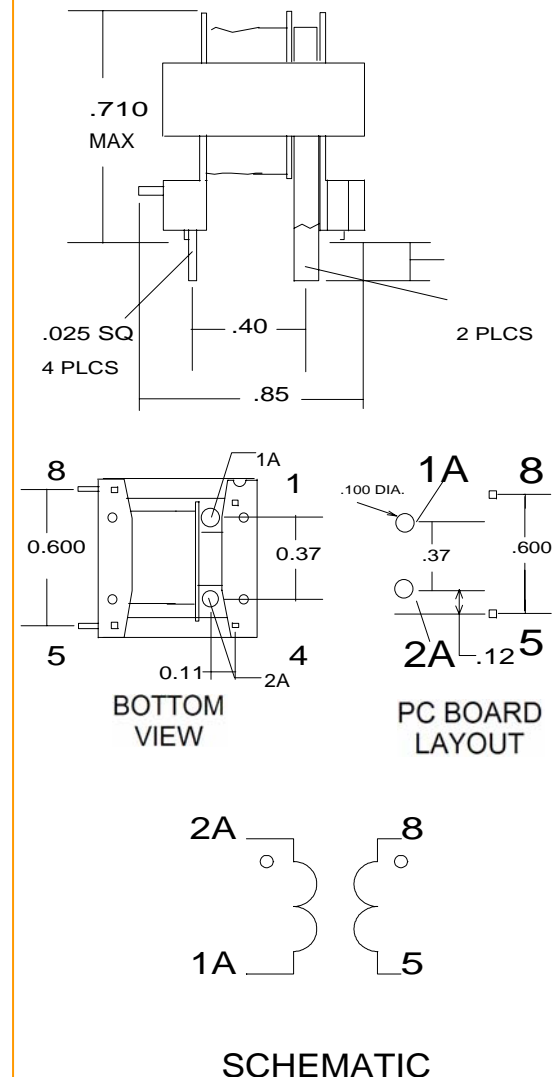
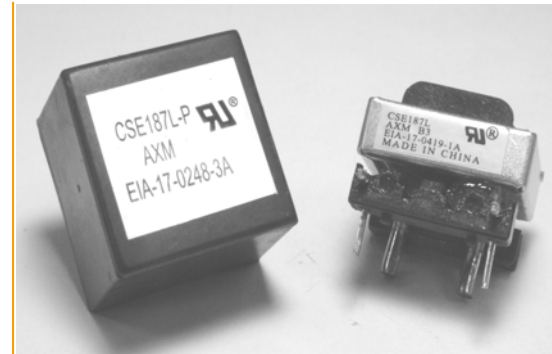
#### Agency Files:

UL file E50476 – Electrical Insulation Systems, Class "B3", 130C

UL file E205349 – Component, Instrument Transformer (XODW2)

**RoHS Compliance:** As of manufacturing date February 2005, all standard products meet the requirements of 2002/95/EC, known as the RoHS initiative.

\*Upon printing, this document is considered "uncontrolled". Please contact Triad Magnetics website for the most current version.



web: [www.TriadMagnetics.com](http://www.TriadMagnetics.com)  
 Phone 951-277-0757  
 Fax 951-277-2757

22520B Temescal Canyon Road  
 Corona, California  
 92883

Release Date: July 7, 2005  
 Revision: B